



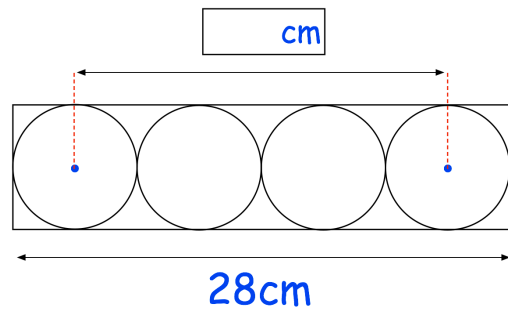
10th February

0.7×60

$80\% \times 1,800$

Four identical circles fit inside a rectangle.

Find the distance between the centres of the first and fourth circle.



A 2p coin has a mass of 7 grams.
Find the total mass of £80 worth of 2p coins.

Give your answer in kilograms

This sequence increases by an equal amount each time.

Find the three missing numbers

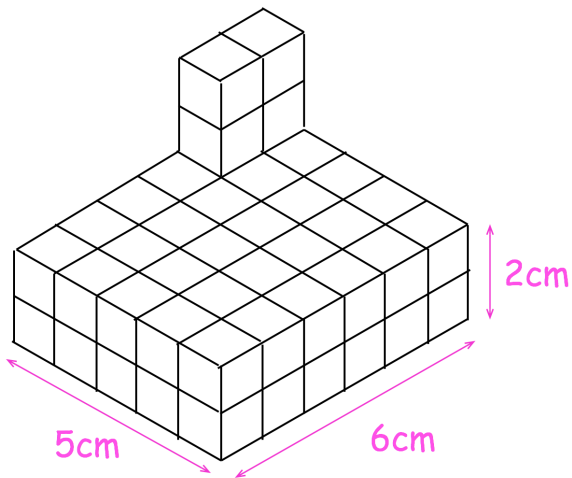


11th February

$$19 - 2 \times 8$$

$$1\frac{1}{2} \times 68$$

This shape is made from centimetre cubes.



How many more centimetre cubes are needed to make it into a solid cuboid 5cm wide, 6cm long and 5cm tall?

A car travels at 60 miles per hour for 3 hours.

How far does the car travel?



